

CompactXray

EBA AG

COMPACT X-RAY SYSTEM



Compact radiography system with 65 kW generator made in Germany and SIEMENS Healthineers components.



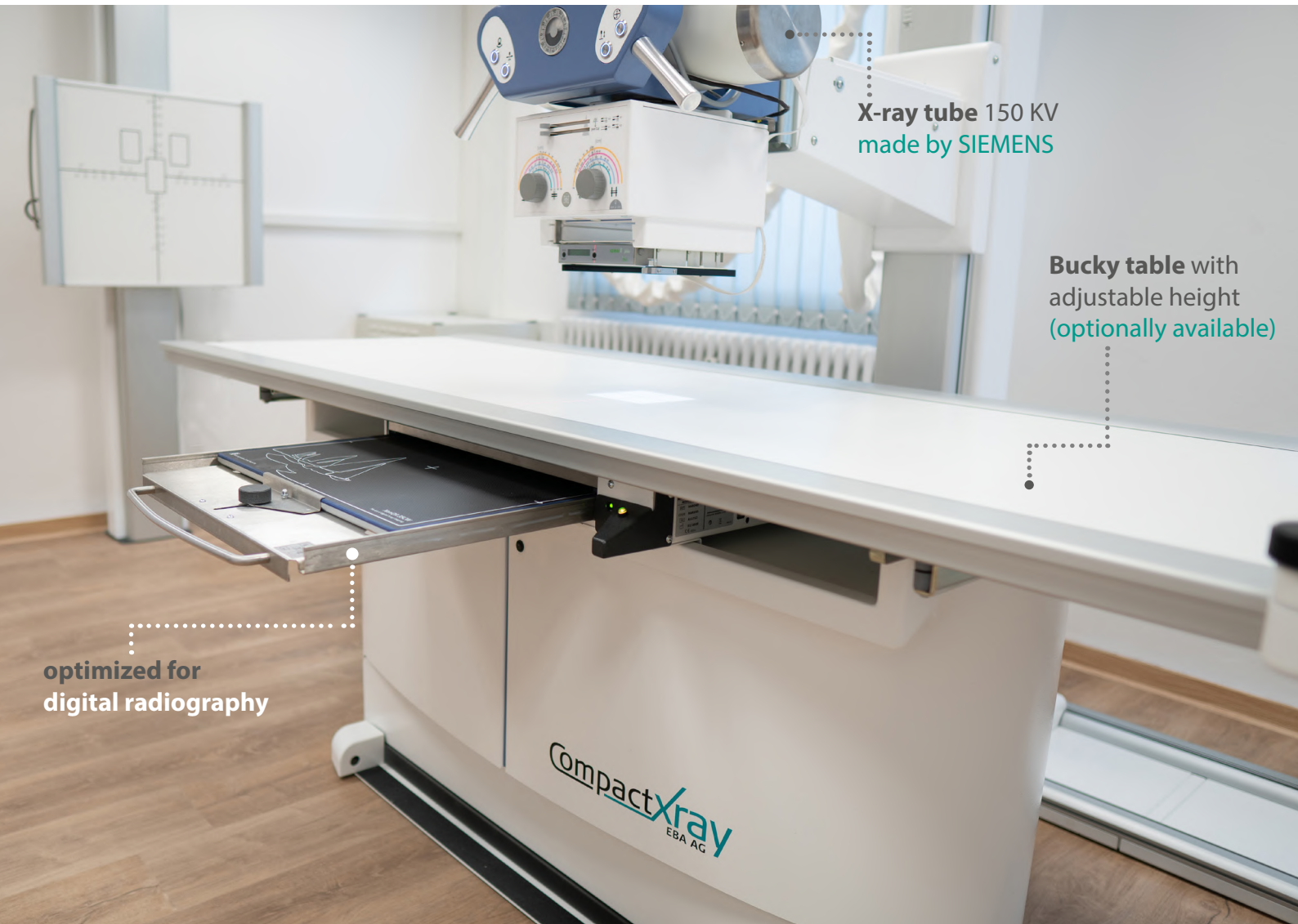
With the **EBA CompactXray** radiography system you get a compact and economical X-ray workplace which combines both low investment and operating costs.

This X-ray system offers high flexibility and is particularly suitable for examinations of the skeleton on lying, sitting and standing patients. It is successfully used in orthopedic and thoracic diagnostics as well as in trauma, routine and emergency diagnostics.

The **EBA CompactXray** is being used in all radiology and semi-radiology departments with a high volume of patients who rely on conventional imaging systems.

By using high-quality components from leading manufacturers, this system combines investment security with low investment costs.

- **65kW X-ray generator** Editor HFe, made in Germany
- **SIEMENS Healthineers X-ray tube** 150KV voltage; focal spot: 0.6/1.2
- **SIEMENS collimator** with interchangeable filter and laser
- **Anti-scatter grid** with adjustable grid speed
- **Bucky table** with floating table top (optionally height adjustable)
- **Bucky wall stand** for exposures on standing patients



X-ray tube 150 KV
made by SIEMENS

Bucky table with adjustable height
(optionally available)

optimized for digital radiography

CompactXray
EBA AG



Collimator with LED light visor
made by SIEMENS

Sustainable investment with build in efficiency.



X-ray generator for high standards:

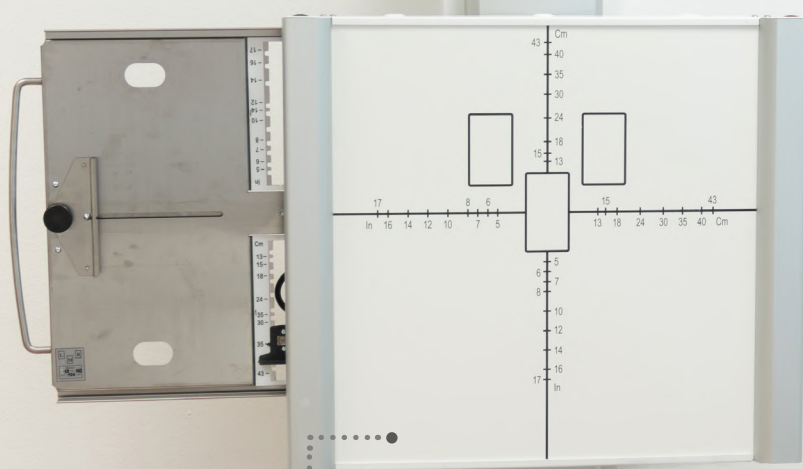
- Tomography applications
- Serial image technology
- Digital spot film technology
- Automatic exposure control
- Full control via acquisition station (optional)
- Made in Germany

High quality electronics:

- Fast multi-processor technology
- Accurate exposure automation controlled by microprocessors
- Programmable imaging technology
- Pulsation 100 kHz
- Modular design to face user needs
- Digital System with full DICOM-compatibility (optional)
- PACS Interface (optional)

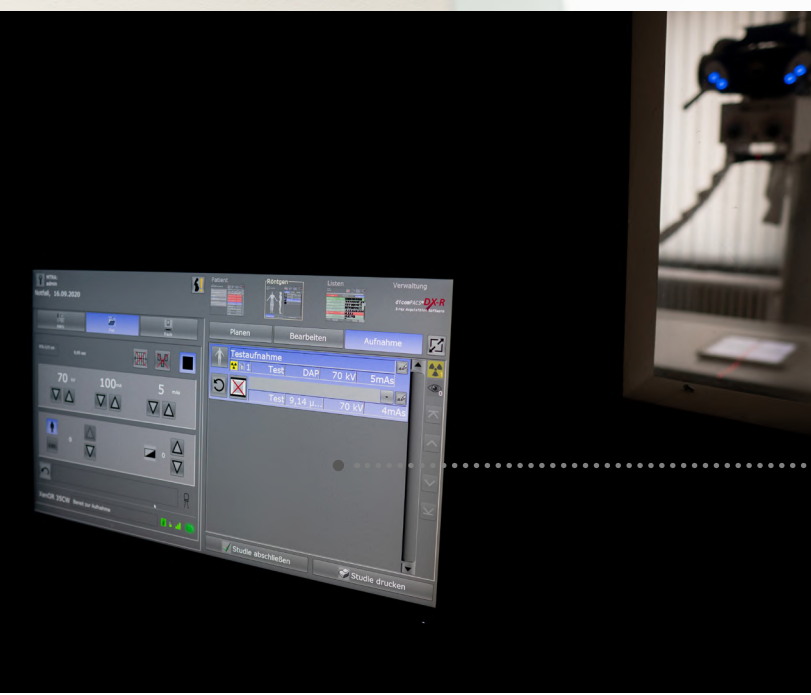
X-Ray Generator electrical specifications

Generator power	65 kW
Line voltage / frequency	400 Vac / 50/60 Hz
Line connection	3 Ph+N+PE
Line impedance between 2 phases	0,3 Ω
Line fuse	35 A, slow blow



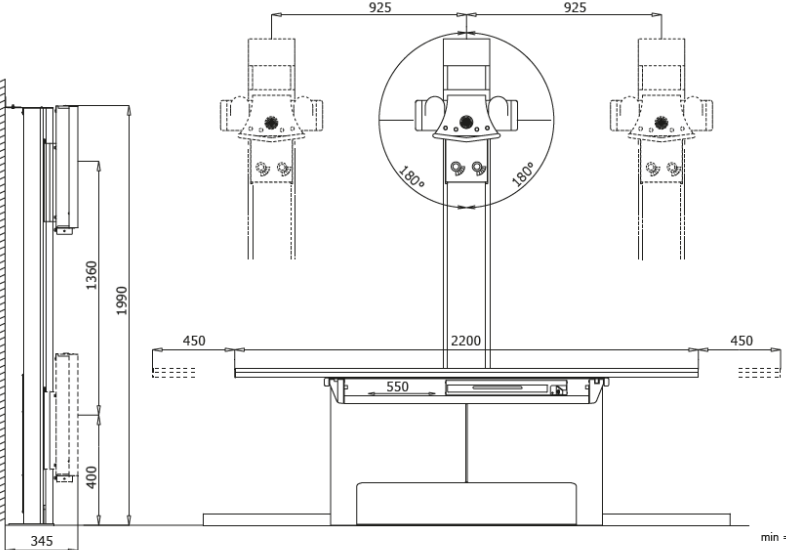
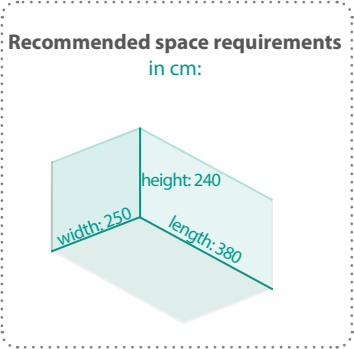
Bucky wall stand
for cassette/detector
sizes up to 17"x17"

65 kW X-ray generator.....
with compact cabinet



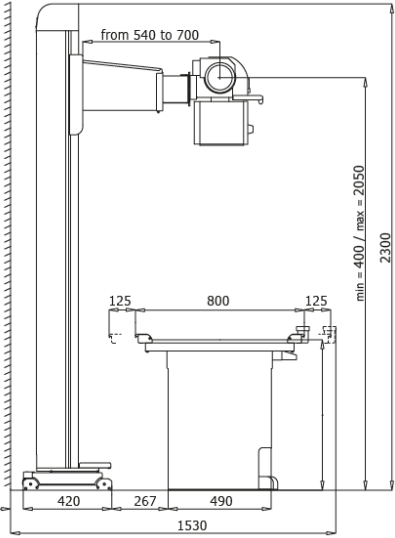
optionally available:
Digital control panel with generator control
and PACS-System

Compact design for all spaces.

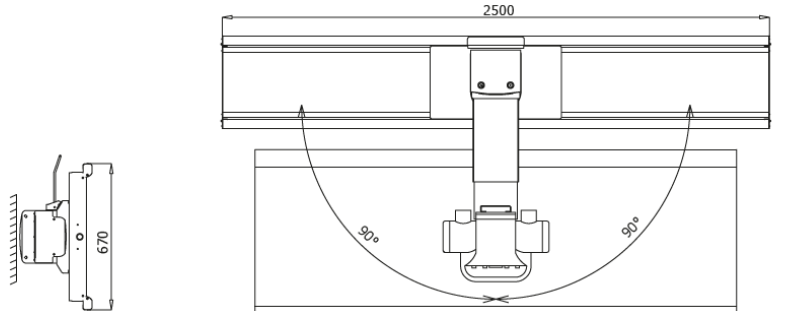


Bucky wall stand
side view

Tubestand and X-ray Bucky table
frontal view



Tubestand and X-ray Bucky table
side view



Bucky wall stand
top view

Tubestand (with optional column rotation)
top view

All dimensions in mm



Digital radiography becomes reality.

The **EBA CompactXray** system is already prepared for all digital image receptor systems with a cassette or detector size of up to 17"x17" due to the large cassette tray and the individually adjustable speed of the moving anti-scatter grid.

The **EBA CompactXray** is configurable with almost all digital image receptor systems and can be ordered with various systems:

- DR-System: WiFi or wired detectors in different sizes
- CR-System: Image plate system with cassettes and compact readout unit.

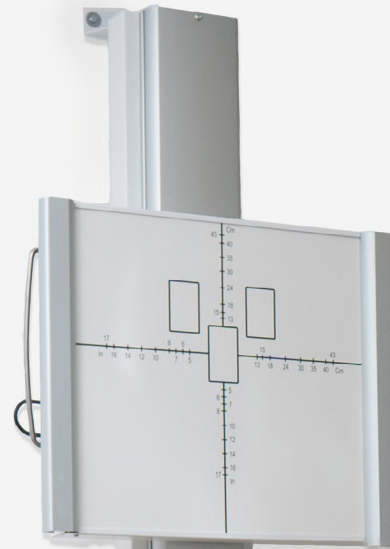
The **EBA CompactXray** can just as easily be connected to existing image receptor systems and integrated into existing DICOM environments.

Cassette tray 17"x17"
with
WiFi DR-Flatpanel
(optionally available)

DR: Direct Radiography
CR: Cassette Radiography



Technical Details



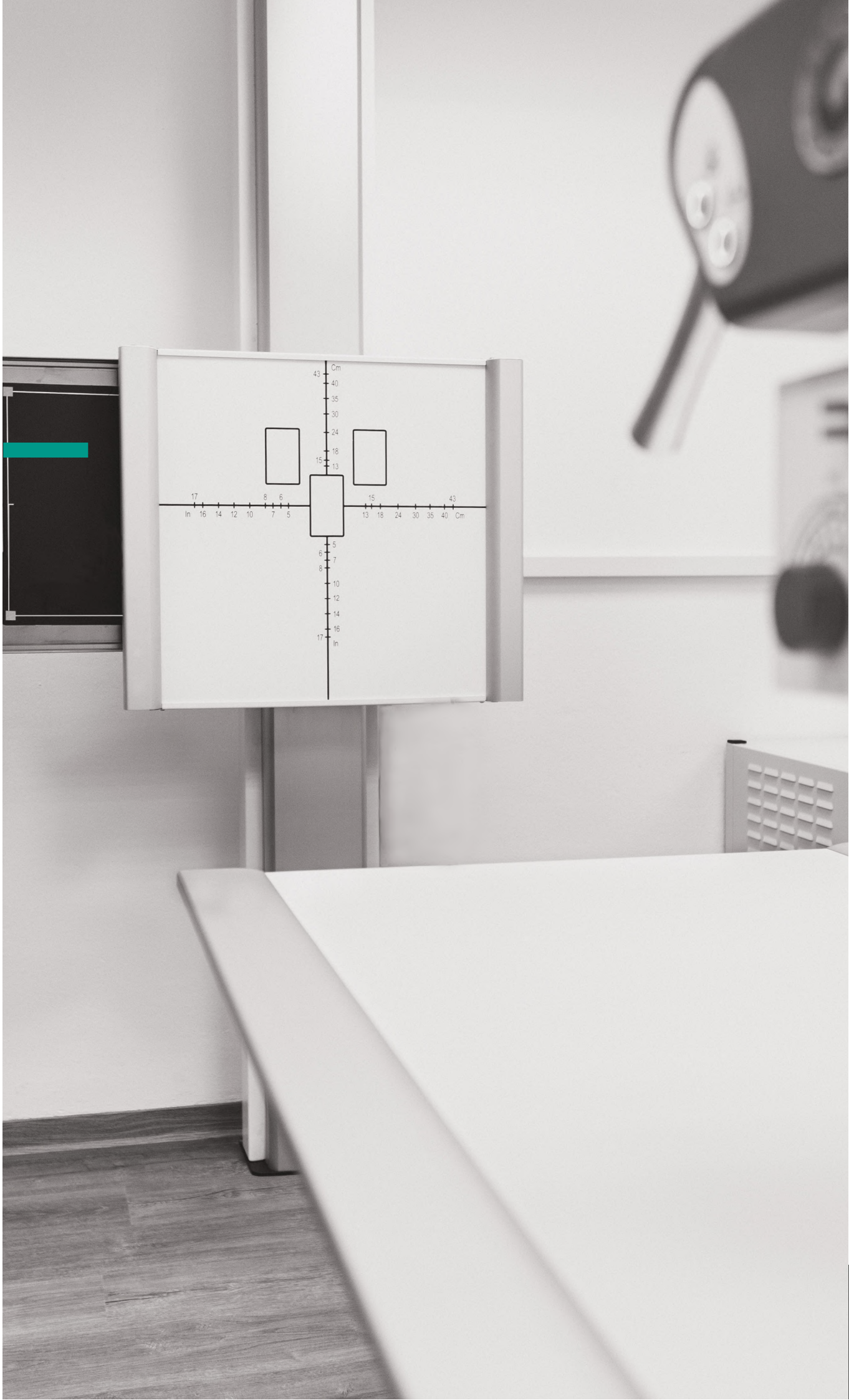
X-ray system	
Table height (fixed)	740 mm
Table height adjustable (optional)	500 – 825 mm
Table top (floating)	2200 x 810 mm
Table top movement, transvers	+/- 125 mm
Table top movement, longitudinal	+/- 450 mm
Patient load, max.	200 kg
Film focus distance (FFD)	Adjustable
Tubestand travel range (optional)	1850 mm
Tubestand rotational (optional)	+/- 90°
Telescope function of tube (optional)	540 – 700 mm
Bucky wall stand height range	400 – 1700 mm
X-ray generator	65 kW

Bucky	
Travel range	550 mm
Detector/Cassette size	Max. 17"x17"
Bucky Grid	Moving anti-scatter grid
Anti-scatter grid	Adjustable grid speed
Measuring chamber	3-field-measuring chamber



CompactXray
EBA AG

where
solutions
matter.



CompactXray
EBA AG

provided by

EBA AG
MEDIZINTECHNIK



EBA AG • Dr.-Zumach-Ring 5 • D-91522 Ansbach
T +49 981 / 208 623 0 • F +49 981 / 208 623 90 • E info@eba-ag.de
www.eba-ag.com

© EBA AG 2020 Subject to technical changes. All information is supplied without liability and all obligation is excluded due to faulty, incomplete or outdated information. All logos, images, information and graphics are the property of EBA AG and are

subject to the copyright of the respective licensors. All photos, logos and texts presented on these pages, which are EBA AG's own developments or have been edited by EBA AG, may not be copied or used in any other way without permission. **All rights reserved.**

where solutions matter.
www.eba-ag.com/compact-xray