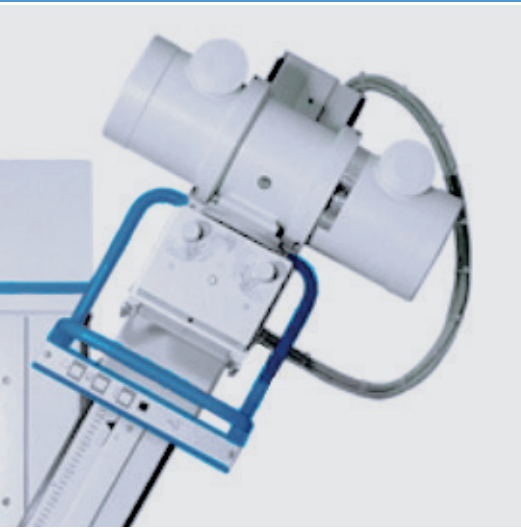
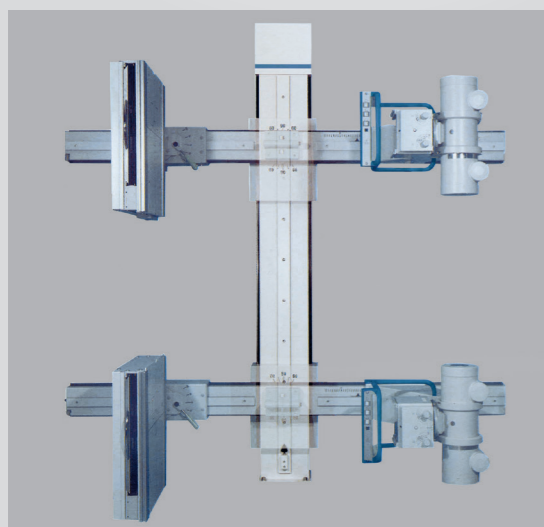


COSMOS-2

The Universal X-Ray Unit



pausch
m e d i c a l



COSMOS-2

A highly economical solution

The Cosmos-2 is a universal and highly economical X-Ray solution. It allows exposures on standing, seated or horizontal patients. From extremities to soft tissue, the entire range of exposures are covered with the Cosmos-2. As a truly universal positioning device, the Cosmos-2 is an indispensable asset to any practice or radiology department.

More vertical travel

The extensive vertical range of the Cosmos-2 enables exposures from the knee to the skull of a standing patient. The vertical movement is 42 cm (16,5") to 163 cm (64") from the floor (center horizontal beam). The rotation of the swivel arm is fully variable from +135° to -35°. Additionally, the Bucky angulates independently from its support column up to ±30°.

Easy operation

The unit can be moved and rotated smoothly with ergonomically designed hand grips. The vertical and rotational movements are locked electromagnetically. The FFD (SID) movement is power driven for fast and secure positioning. The Bucky angulation is equipped with a mechanical stop at 0°. The Cosmos-2 is fully counterbalanced and has guide rails for smooth movement.

Constant alignment

Even though the movements and adjustments of the Cosmos-2 are extensive, the X-Ray tube and the Bucky remain always centered. The permanent centering of the tube to the Bucky guarantees fast and precise positioning.

Combined with a mobile patient table, the Cosmos-2 offers all advantages of a conventional Bucky table.

The optional patient table moves freely and smoothly to allow rapid patient positioning.

The design of the table top uses the finest radiolucent materials. Accessories for the mobile table include a comfortable radio lucent pad.

While not in use for radiographic examinations, the table can be used for a number of patient applications in or outside the radiology department.

Global Representation

With more than 2000 annual installations worldwide, PAUSCH Medical is a proven provider of highly reliable and effective X-Ray equipment.



Simple patient positioning

The flexible adjustments of the Cosmos-2 facilitate exposures of the patient in a standing, sitting or horizontal position when combined with the optional mobile patient table. A truly universal solution to today's demanding examinations.

Excellent quality exposures

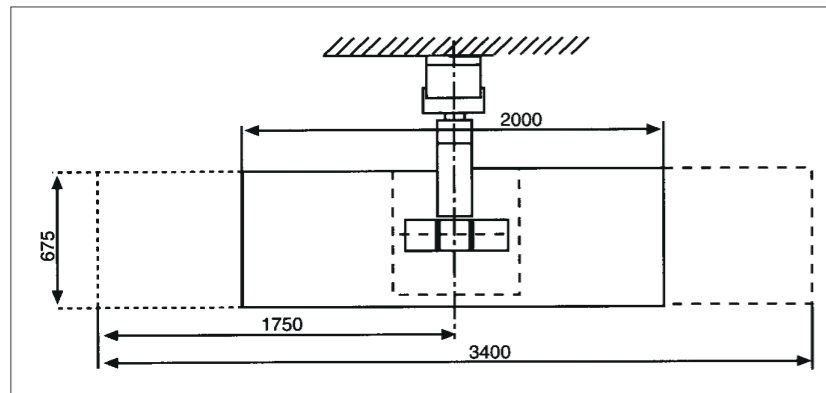
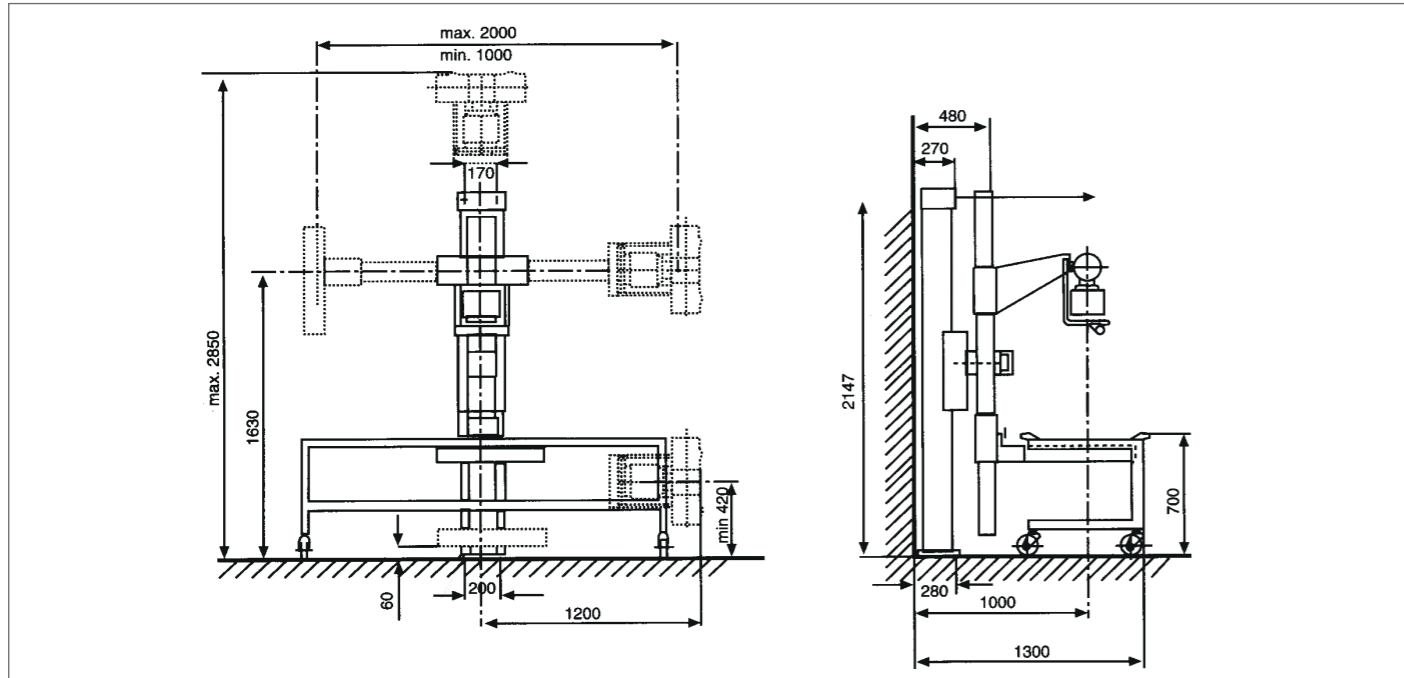
The front plate has an extremely low absorption. As a result, the patient is exposed to only a minimum of radiation while still producing high quality, high contrast and fine resolution radiographs. The Cosmos-2 is compatible with Bucky devices from all manufacturers.

Installation made easy

The Cosmos-2 is anchored to the wall and floor, making installation in existing rooms fast and easy.

Cosmos-2 – The Right Choice

The Cosmos-2 is the economical solution for a doctor's practice, clinics or a valuable addition to any hospital's radiology department. Combined with the patient table, the Cosmos-2 is a universal X-Ray system which can be installed in small or confined spaces.



ACCESSORIES

- Cassette holder
- Compression belt device
- Fixtures for head or hip clamps

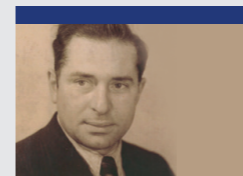
OPTIONS

- Mobile patient table

pausch

medical

For more than 80 years PAUSCH has developed and manufactured medical technology equipment. PAUSCH Medical is a leading provider of table and ceiling systems as well as a wide range of accessories in the X-Ray market. PAUSCH Medical is a global supplier to all leading manufacturers in this market.



1932

The company „Hans Pausch Spezialwerkstätten für Elektro-Medizin“ was founded by Hans Pausch together with his partner Max Schädlich. The headquarters of the company were located in Sedanstrasse 21 in Erlangen and had a total of 6 employees, founders included.



1958

Reinhold Pausch, son of Hans Pausch, takes over the company. He changed the company name into „Hans Pausch Röntgengerätebau“ and was able to expand the customer base.



2000

Hans Peter Pausch, son of Reinhold Pausch, was appointed as the sole executive director. He furthered the capability to develop and manufacture new innovative products and systems. 2007 Pausch celebrates its 75th anniversary.

1960

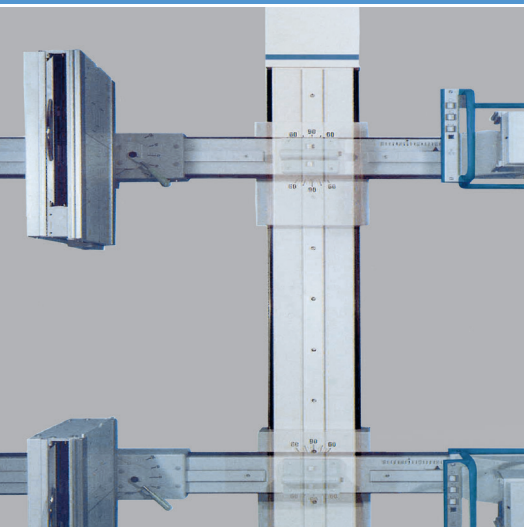
Inspired by his previous success, Reinhold Pausch acquired an aluminium casting company in Graf-Zeppelin-Strasse 1 in Erlangen and named it „Reinhold Pausch“. In 1965 he decided to build a new factory. 1966 the company moved into its current building.

2013

Pausch joined MAVIG Group and now operates as „PAUSCH Medical“. MAVIG Group is a globally successful company with an outstanding reputation in X-Ray protection. The acquisition of PAUSCH Medical allows MAVIG Group to serve the combined client base with a broader range of products and services.



MAVIG



Contact

PAUSCH Medical GmbH
Graf-Zeppelin-Strasse 1
91056 Erlangen (Germany)

Telephone +49 (0)9131/99 92 - 0
Telefax +49 (0)9131/99 24 - 22
eMail info@pausch.de

North American Distributor
Ti-Ba Enterprises, Inc.
Telephone +1 (585) 247 1212
eMail info@ti-ba.com



www.pauschmedical.com

PAUSCH Medical GmbH – a company of MAVIG Group